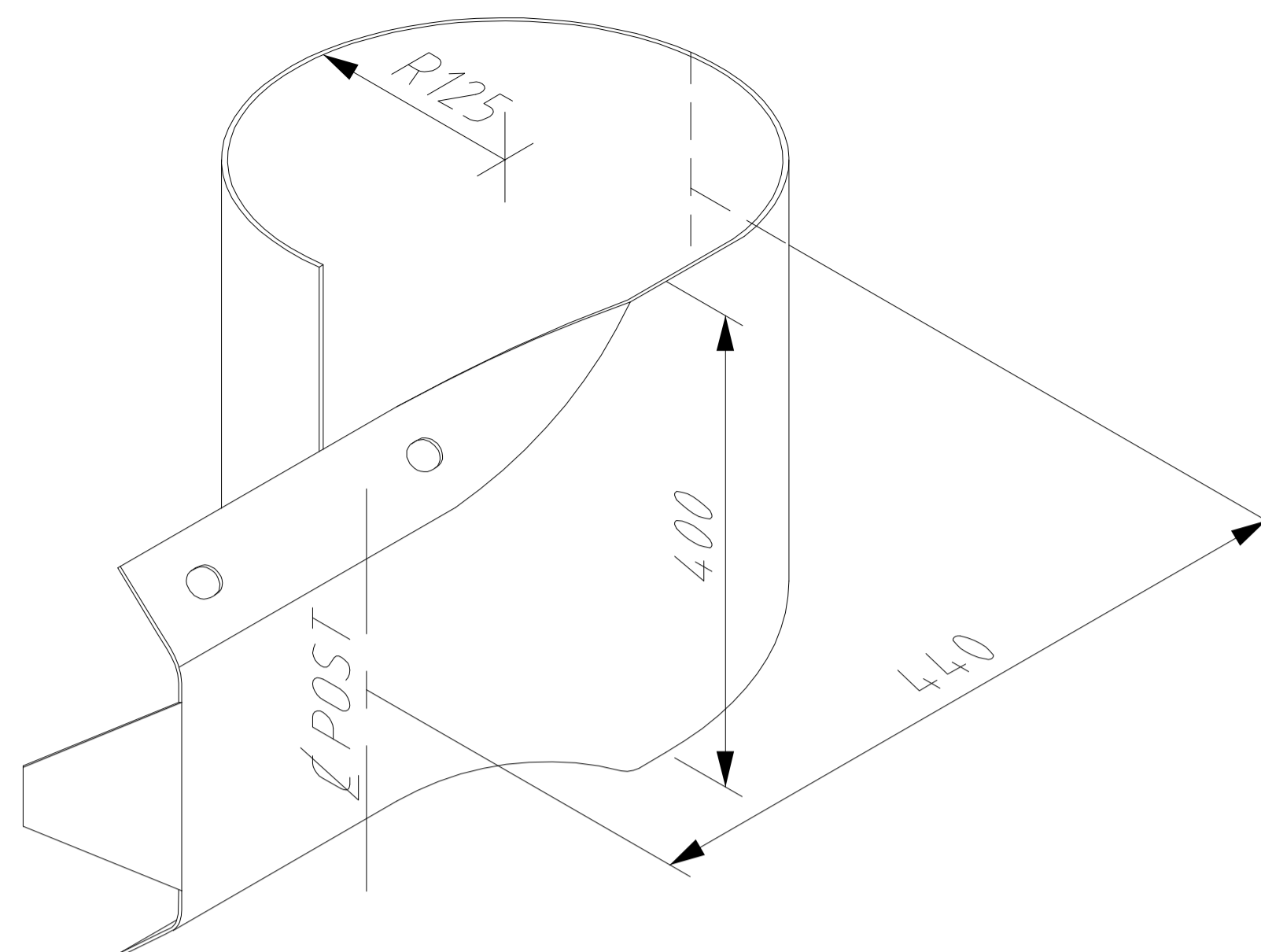


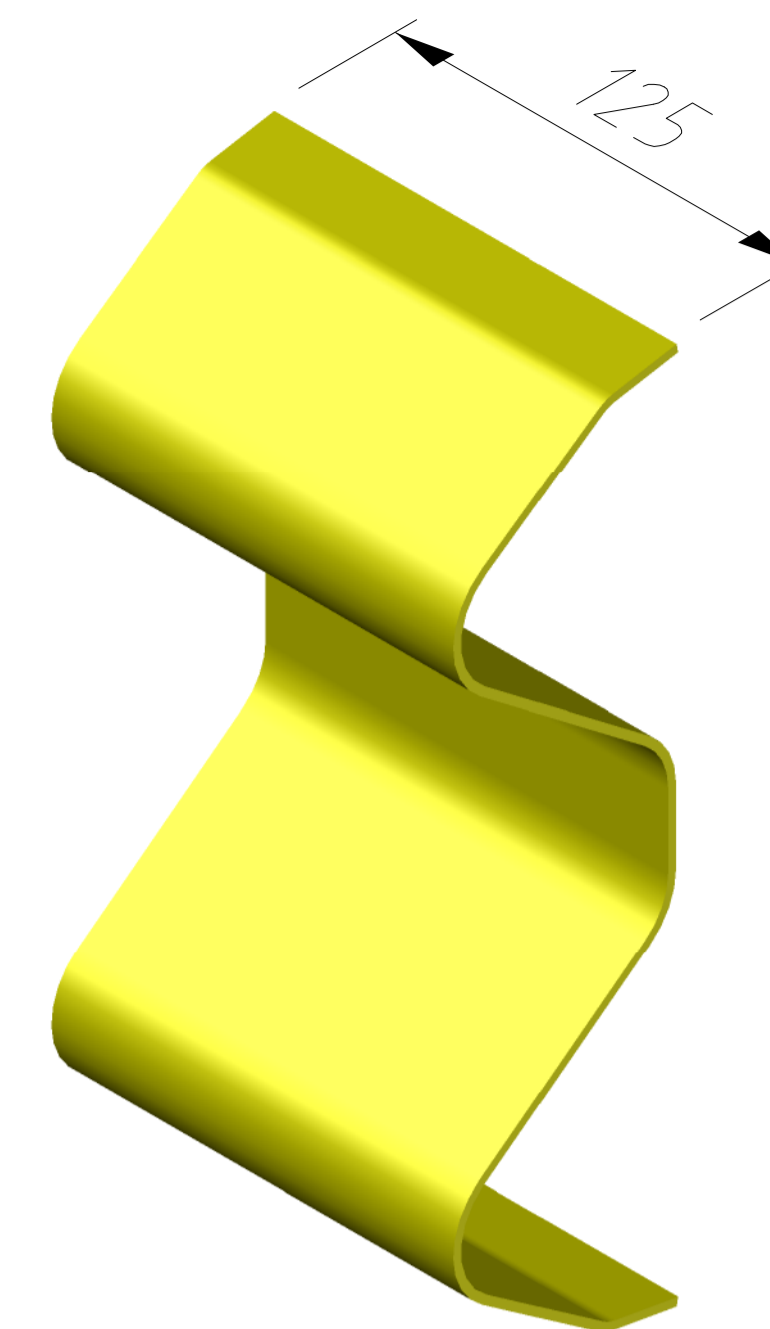
**FISHTAIL**

ITEM: GE-EF-MX-0105-AG



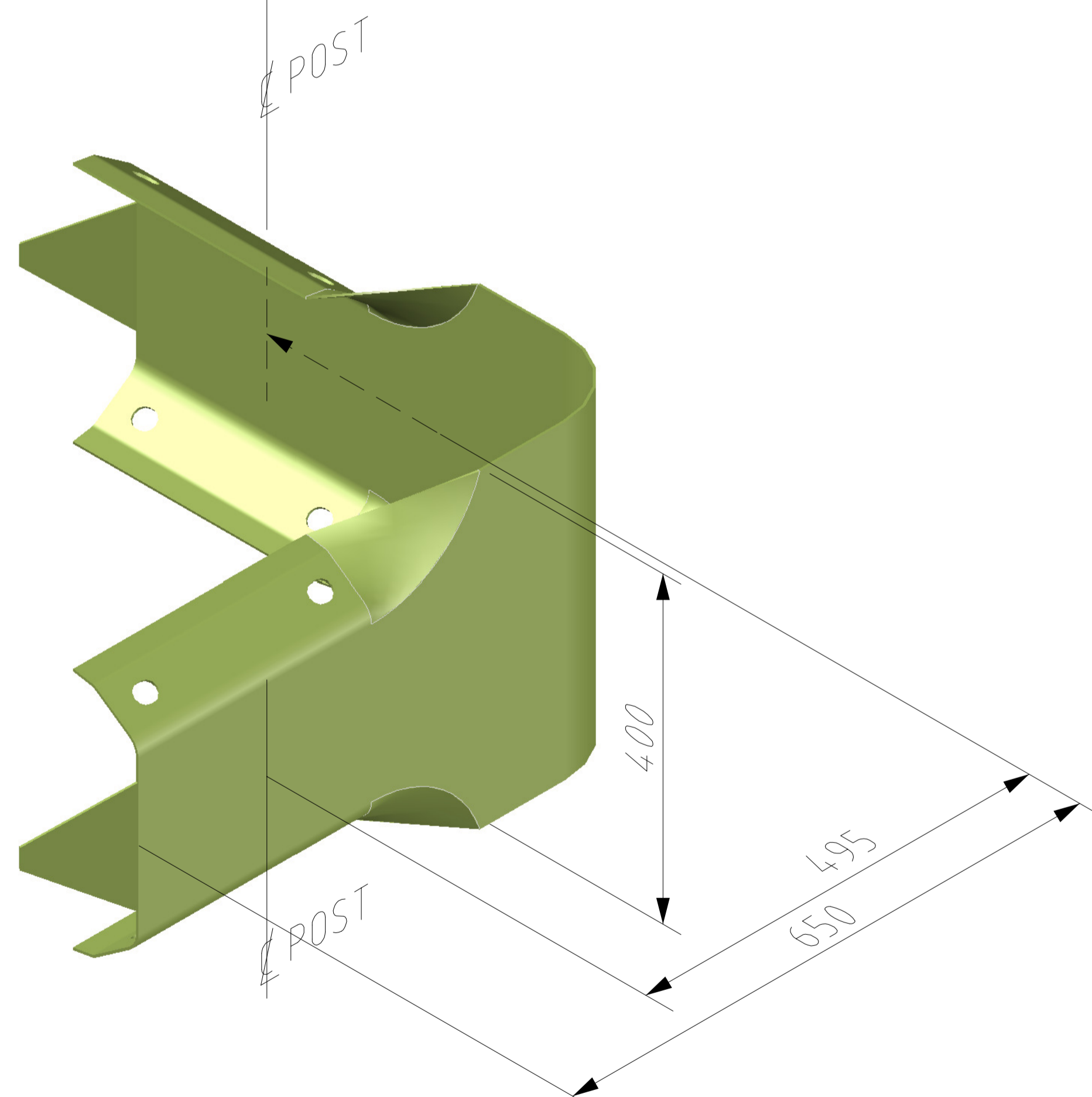
**SHORT BULLNOSE**

ITEM: GE-EF-MX-0103-AG



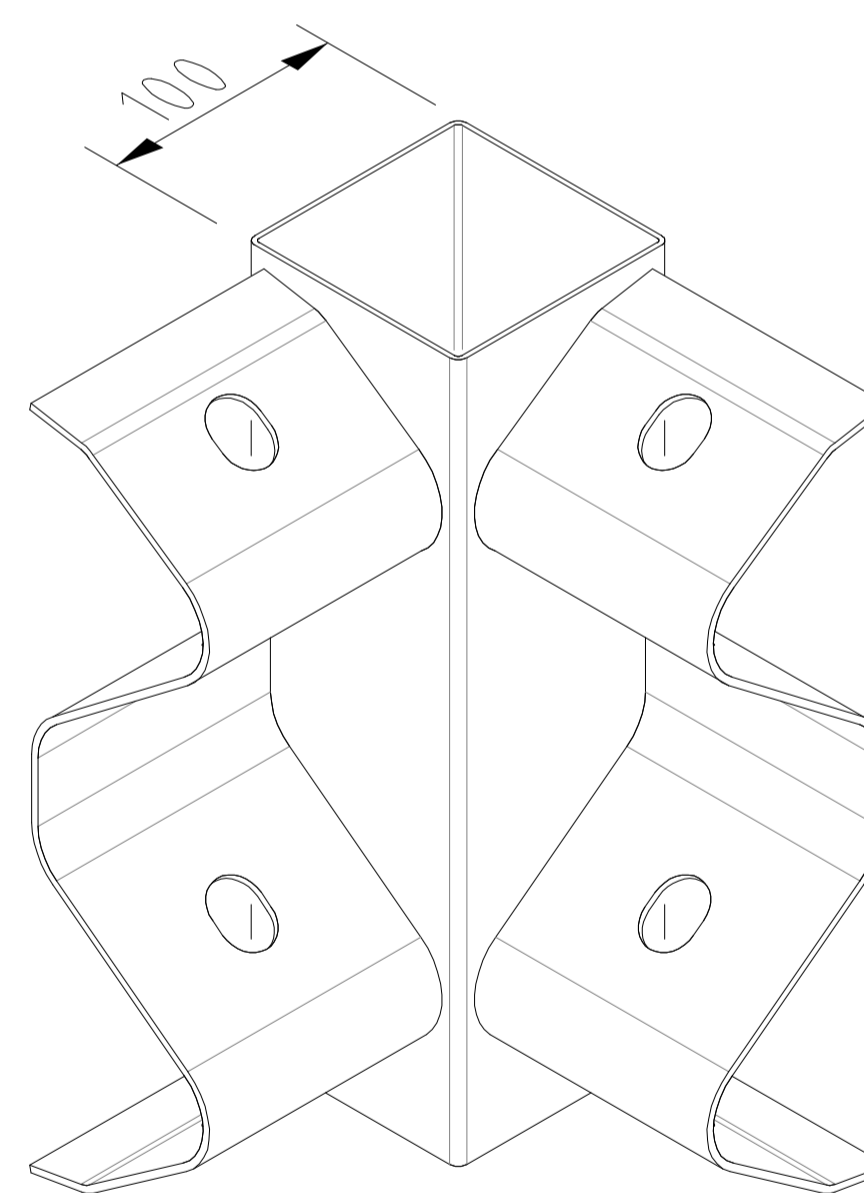
**YELLOW END CAP**

ITEM: GE-EF-MX-0016-AS



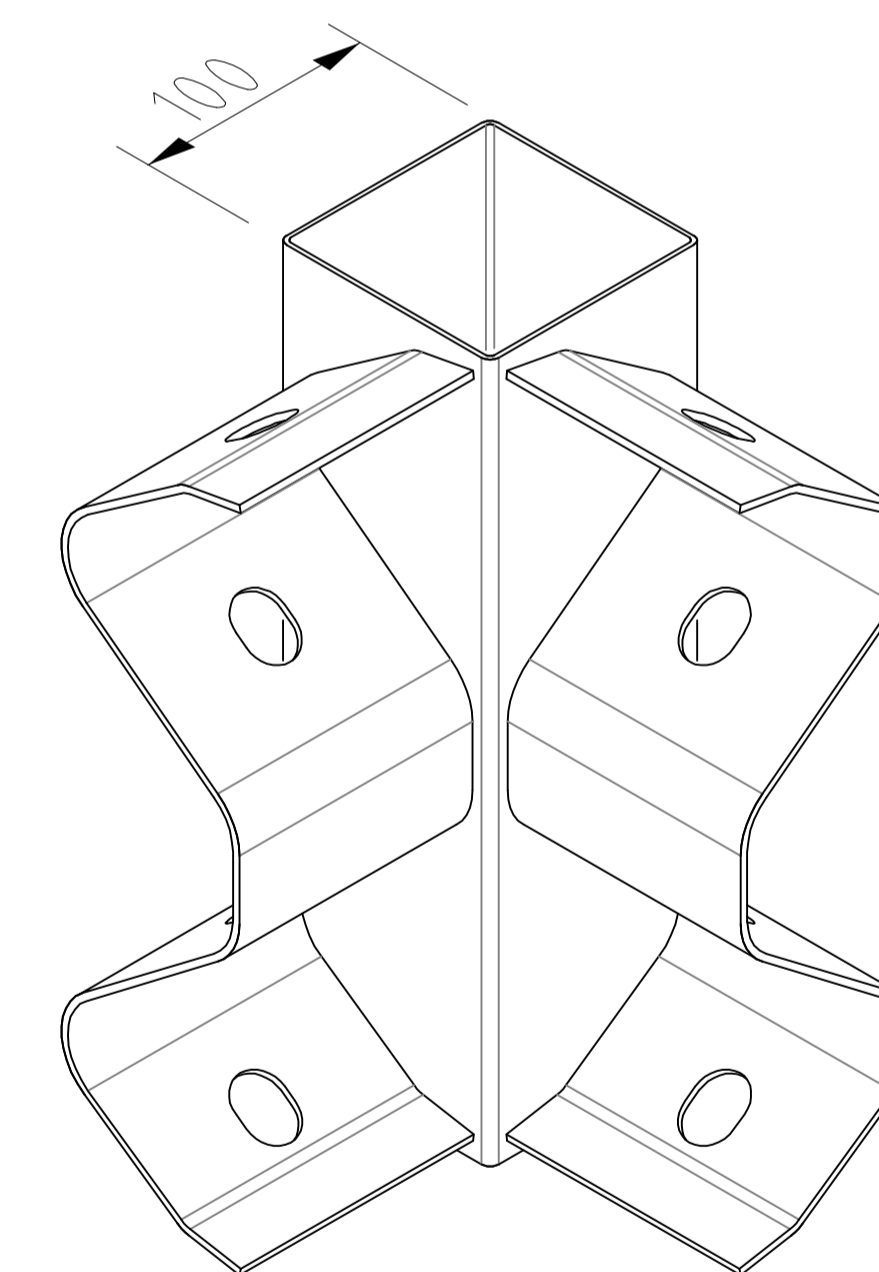
**FLEXIBLE CONNECTOR**

ITEM: GE-EF-MX-0107-AG



**90 DEGREE - INSIDE CORNER**

ITEM: GE-EF-MX-0022-AG



**90 DEGREE - OUTSIDE CORNER**

ITEM: GE-EF-MX-0023-AG



DRAWING DESCRIPTION

W-BEAM GUARDRAIL ACCESSORIES

DRAWING REFERENCE

GR-WB-017

DRAWN BY	AUSTEC DRAFTING	DIMENSIONS	mm
CHECKED	H. WALLACE	SCALE	NTS
APPROVED	T. COLQUHOUN		

REVISIONS					REVISIONS				
REV	DATE	DESCRIPTION	DRAWN	APPRD.	REV	DATE	DESCRIPTION	DRAWN	APPRD.
B	30.03.21	FOR APPROVAL	DB	TC					
A	13.06.14	INITIAL ISSUE	DB	TC					