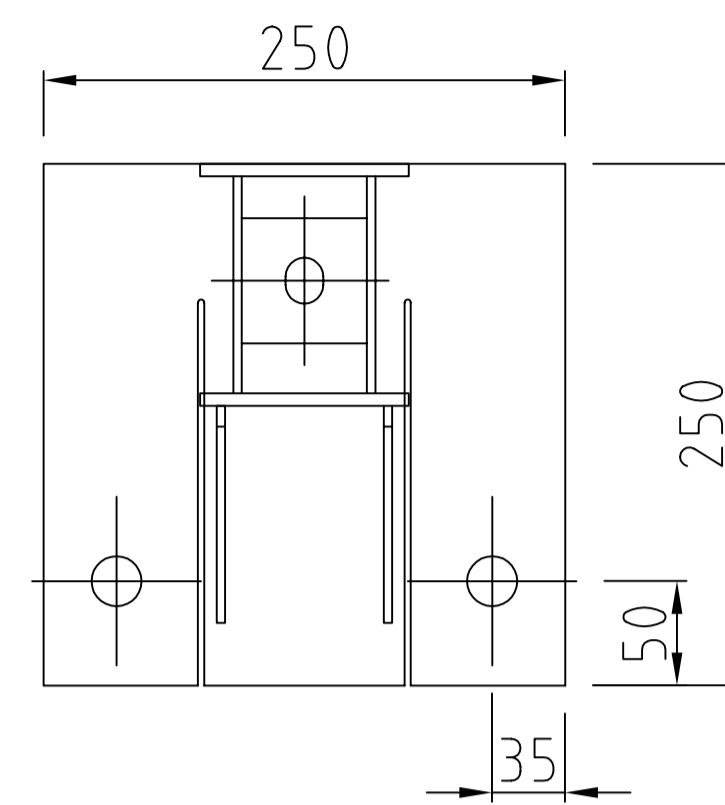
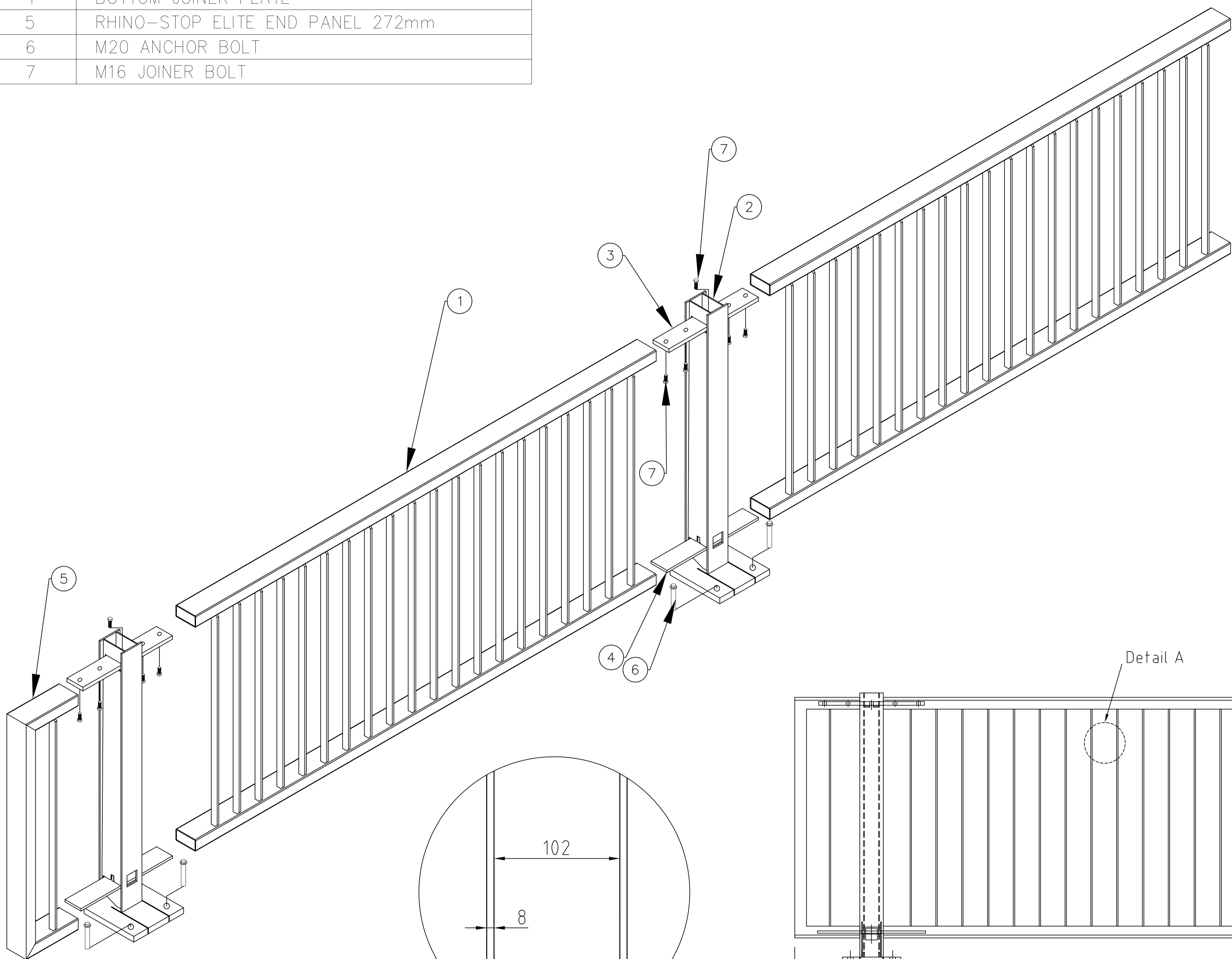


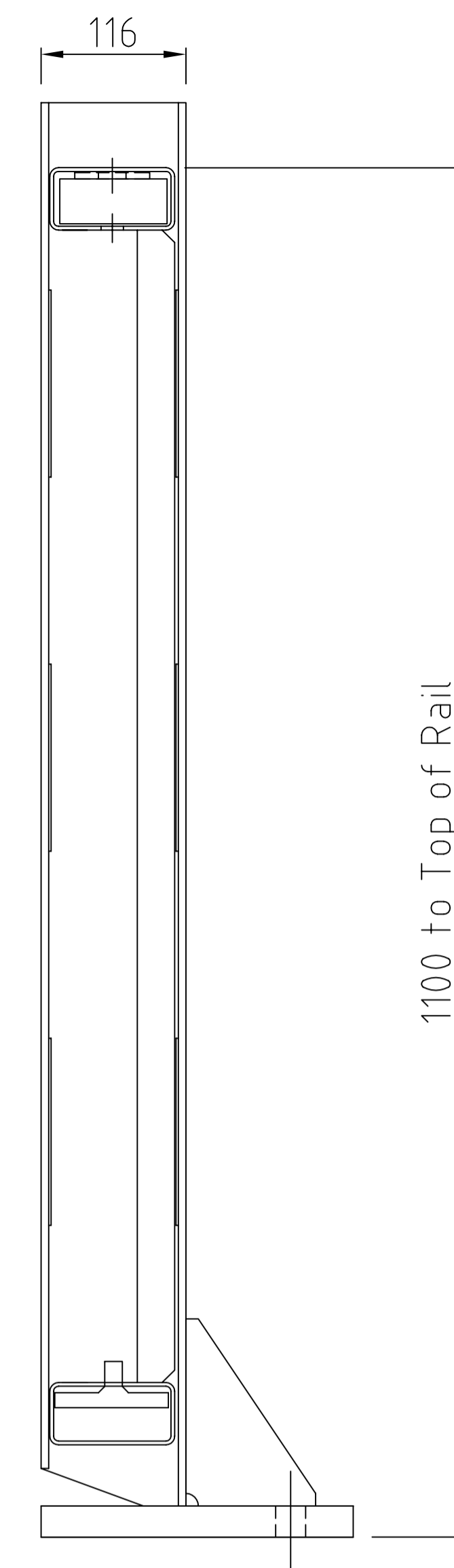
BILL OF MATERIALS

ITEM	DESCRIPTION
1	RHINO-STOP ELITE INTERMEDIATE PANEL 2204mm
2	RHINO-STOP ELITE POST
3	TOP JOINER PLATE
4	BOTTOM JOINER PLATE
5	RHINO-STOP ELITE END PANEL 272mm
6	M20 ANCHOR BOLT
7	M16 JOINER BOLT

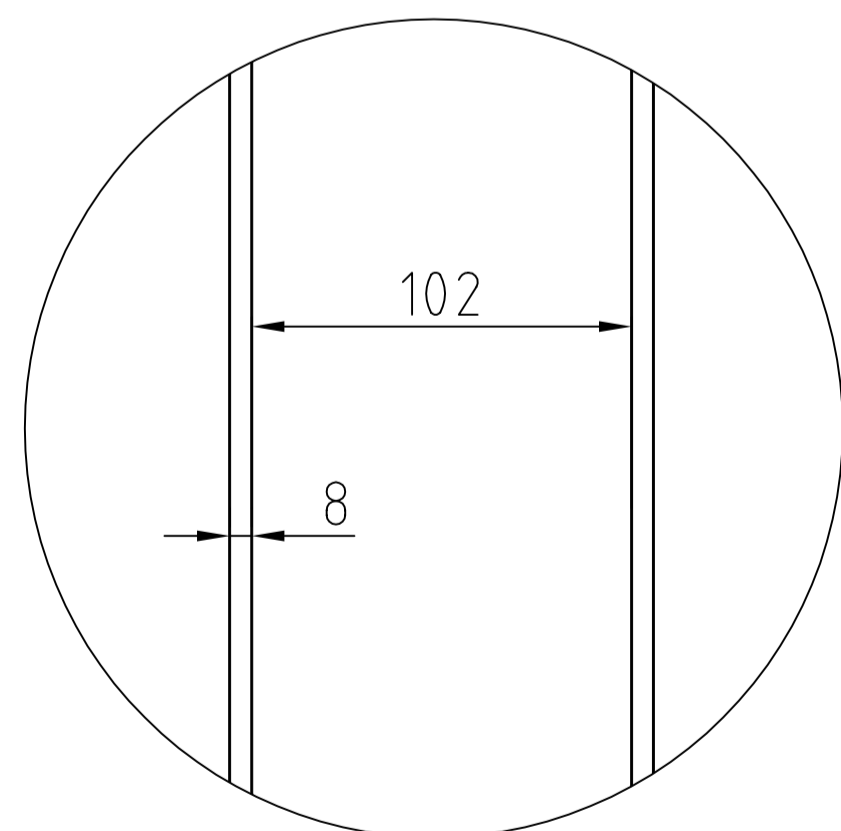
RHINO-STOP ELITE HAS BEEN ASSESSED TO EXCEED THE 30kN IMPACT LOAD AS DESCRIBED IN AS/NZS 1170.1 FOR LIGHT TRAFFIC AREAS.



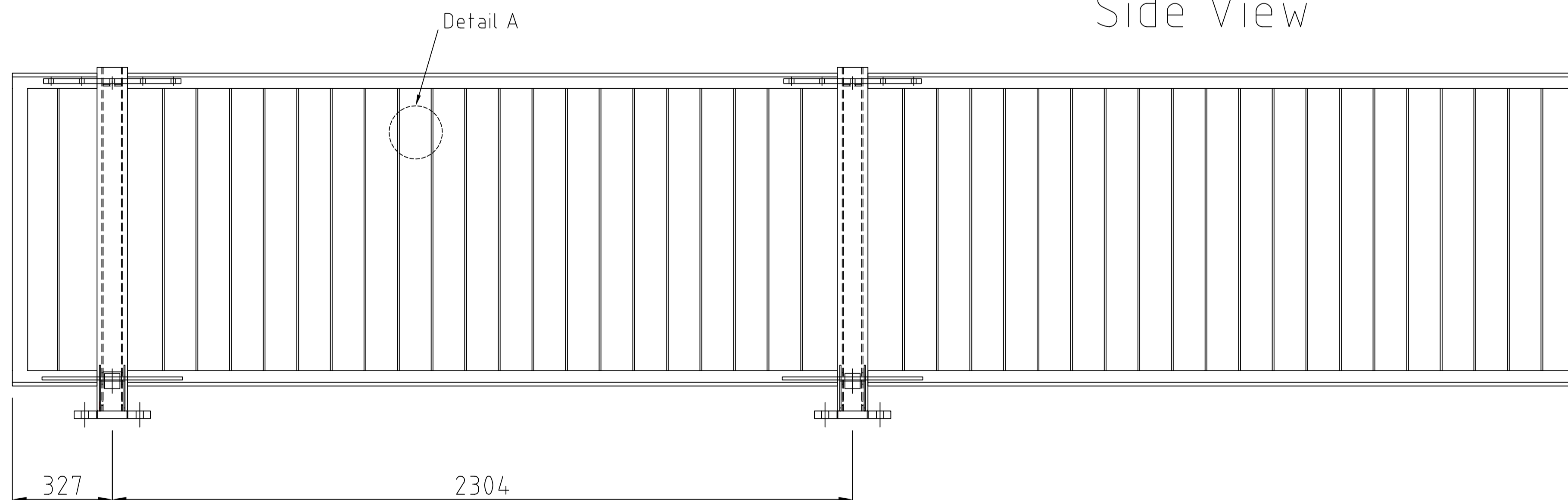
Baseplate Detail



Side View



Detail A



Elevation View

REV	DATE	DESCRIPTION	DRAWN	APPRD.
A	06.01.16	INITIAL ISSUE	MS	TC

REV	DATE	DESCRIPTION	DRAWN	APPRD.



SAFE DIRECTION

DRAWING DESCRIPTION

RHINO STOP ELITE ASSEMBLY DRAWING

DRAWING REFERENCE

GR-RE-101

DRAWN BY	M. SEAL	DIMENSIONS	mm
CHECKED	H. WALLACE	SCALE	NTS
APPROVED	T. COLQUHOUN		