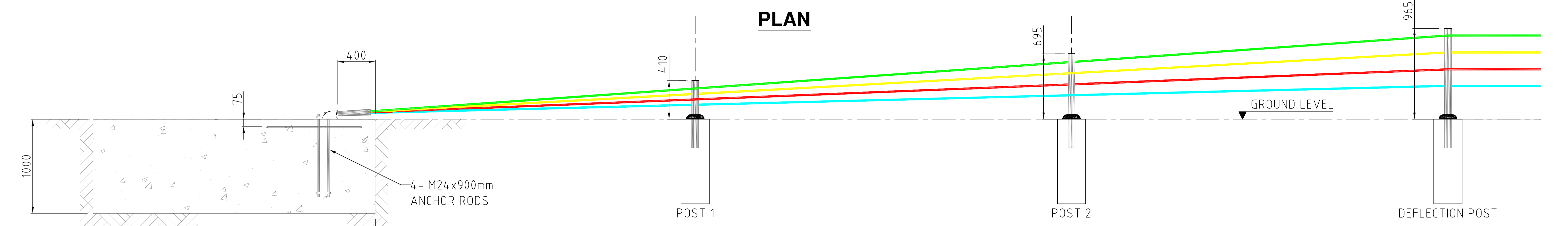
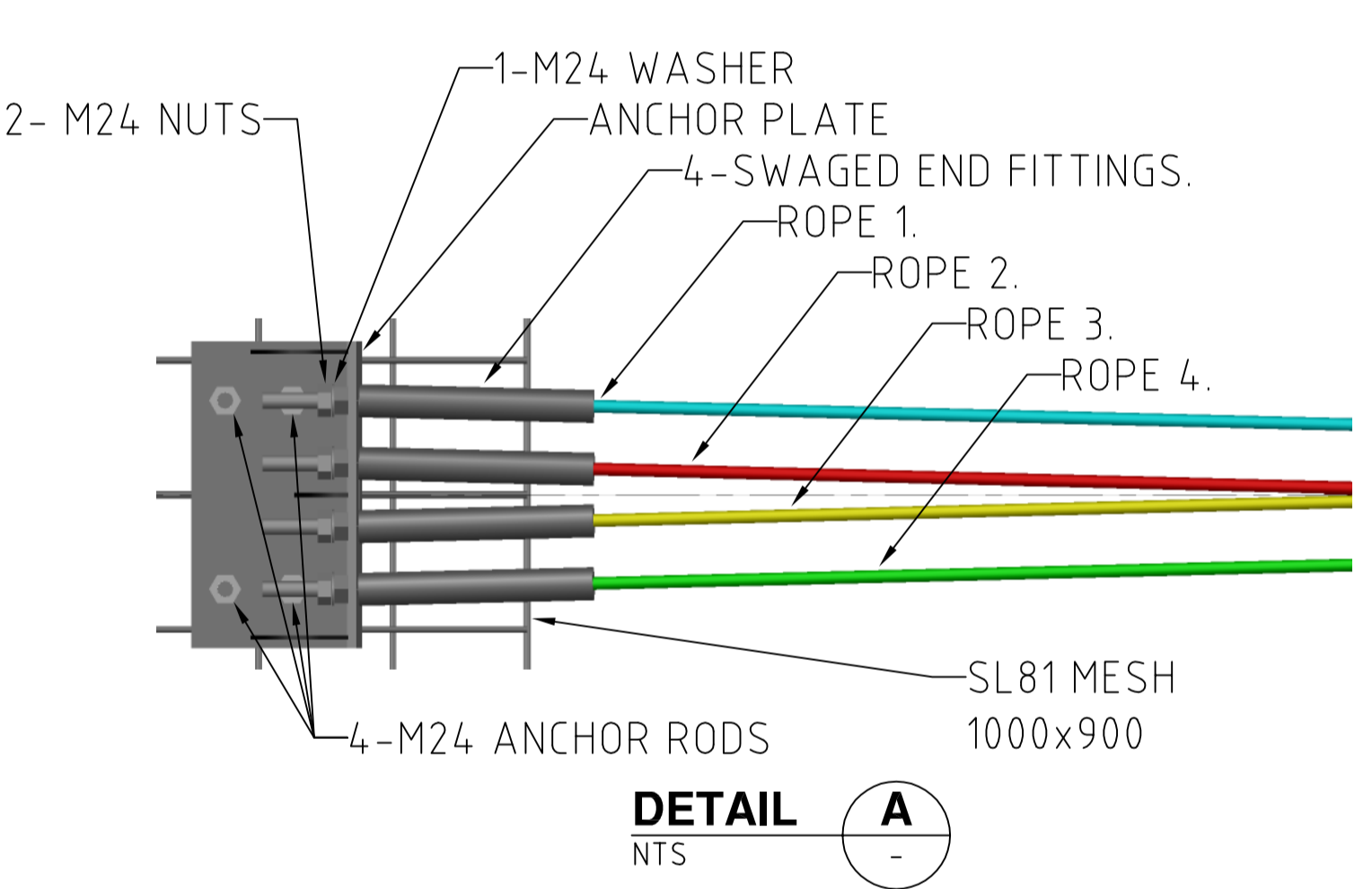


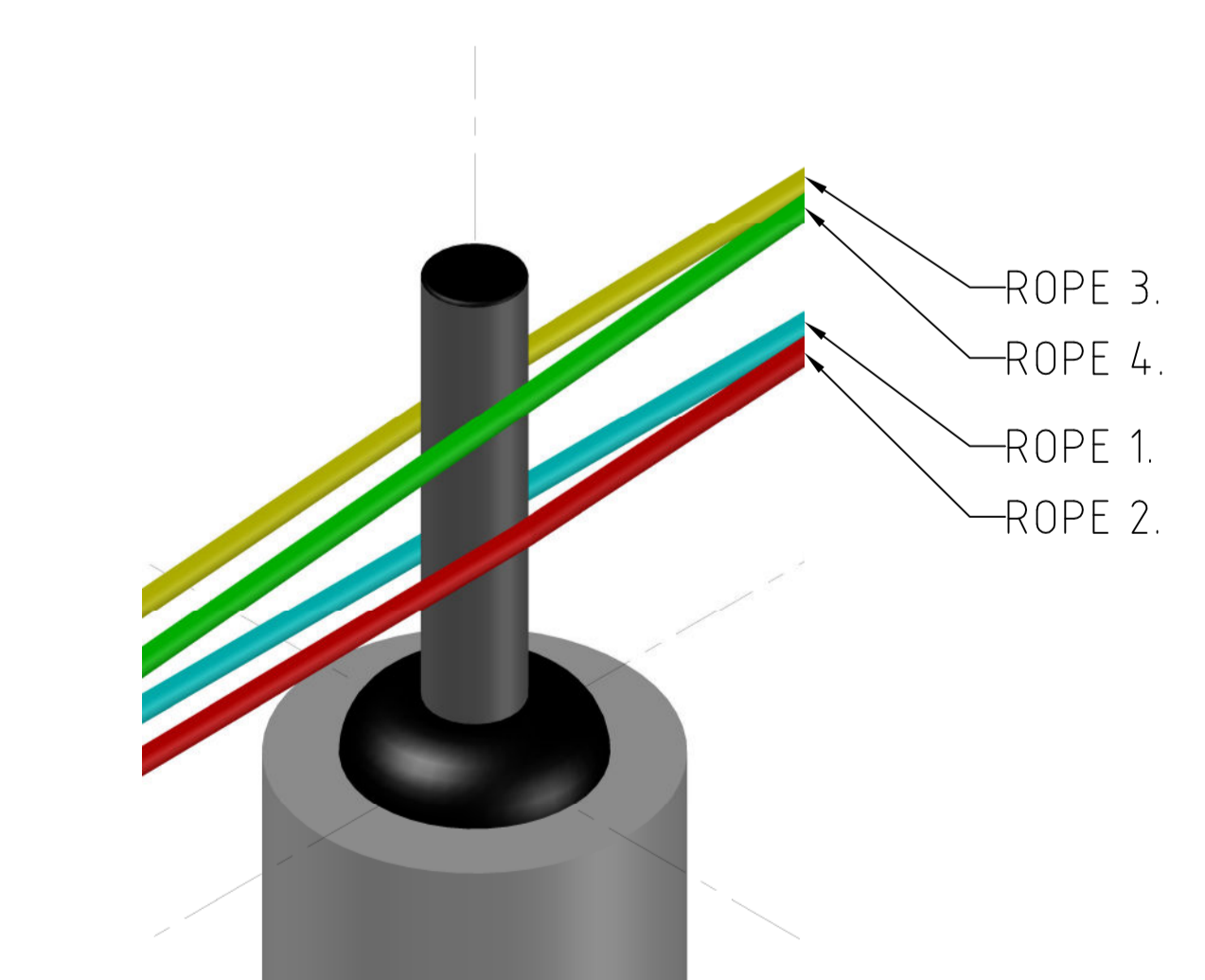
PLAN



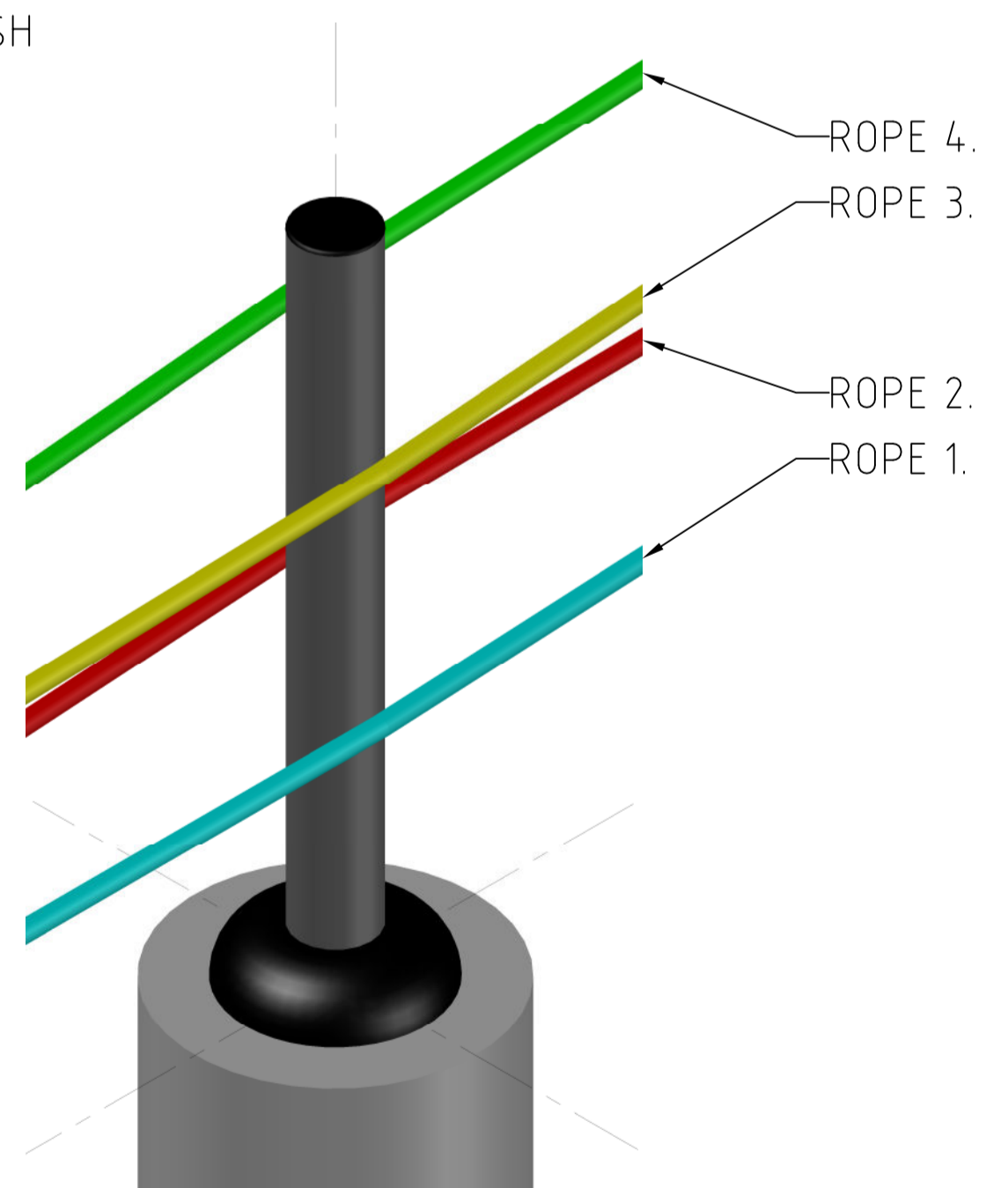
ELEVATION



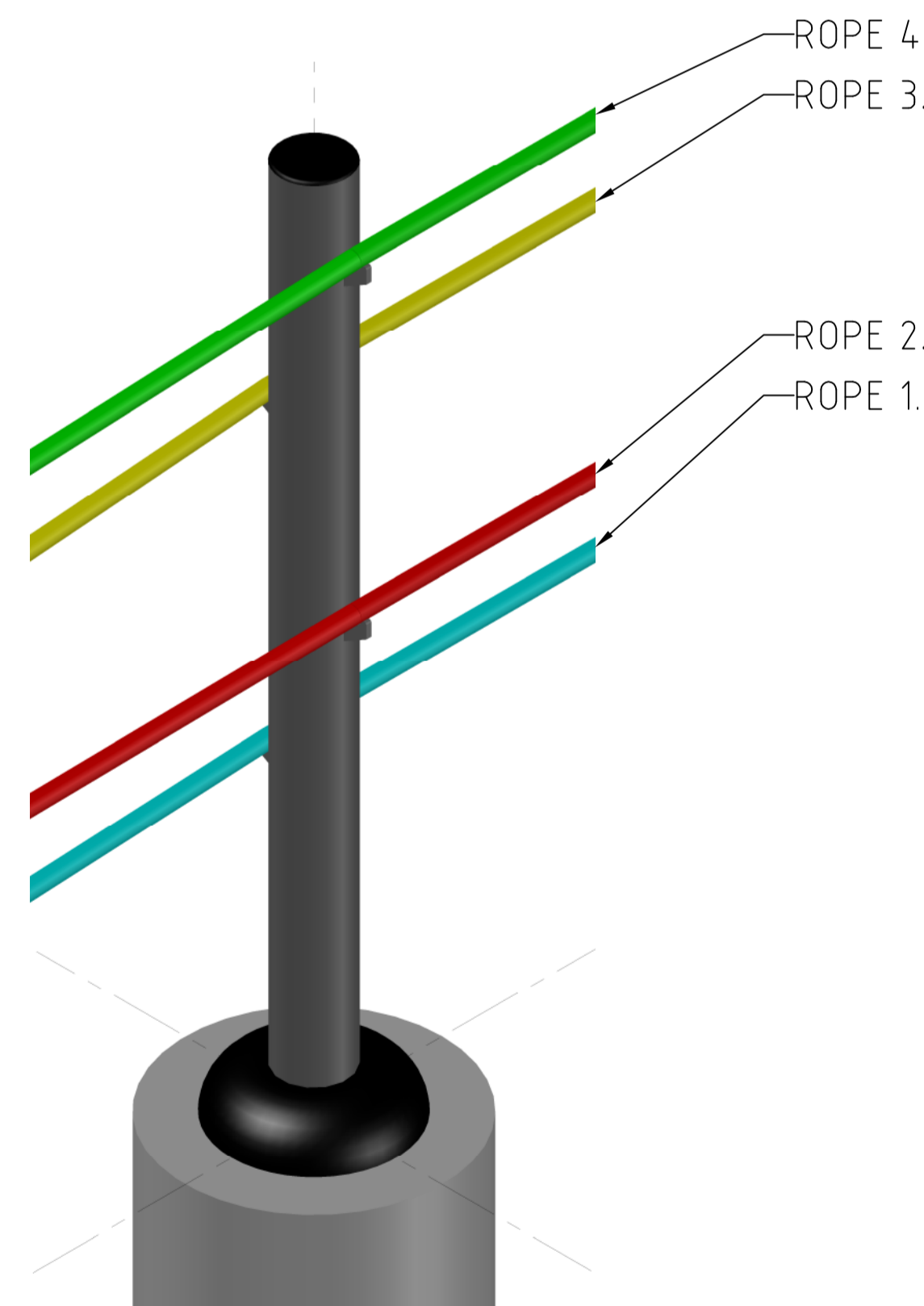
DETAIL A
NTS



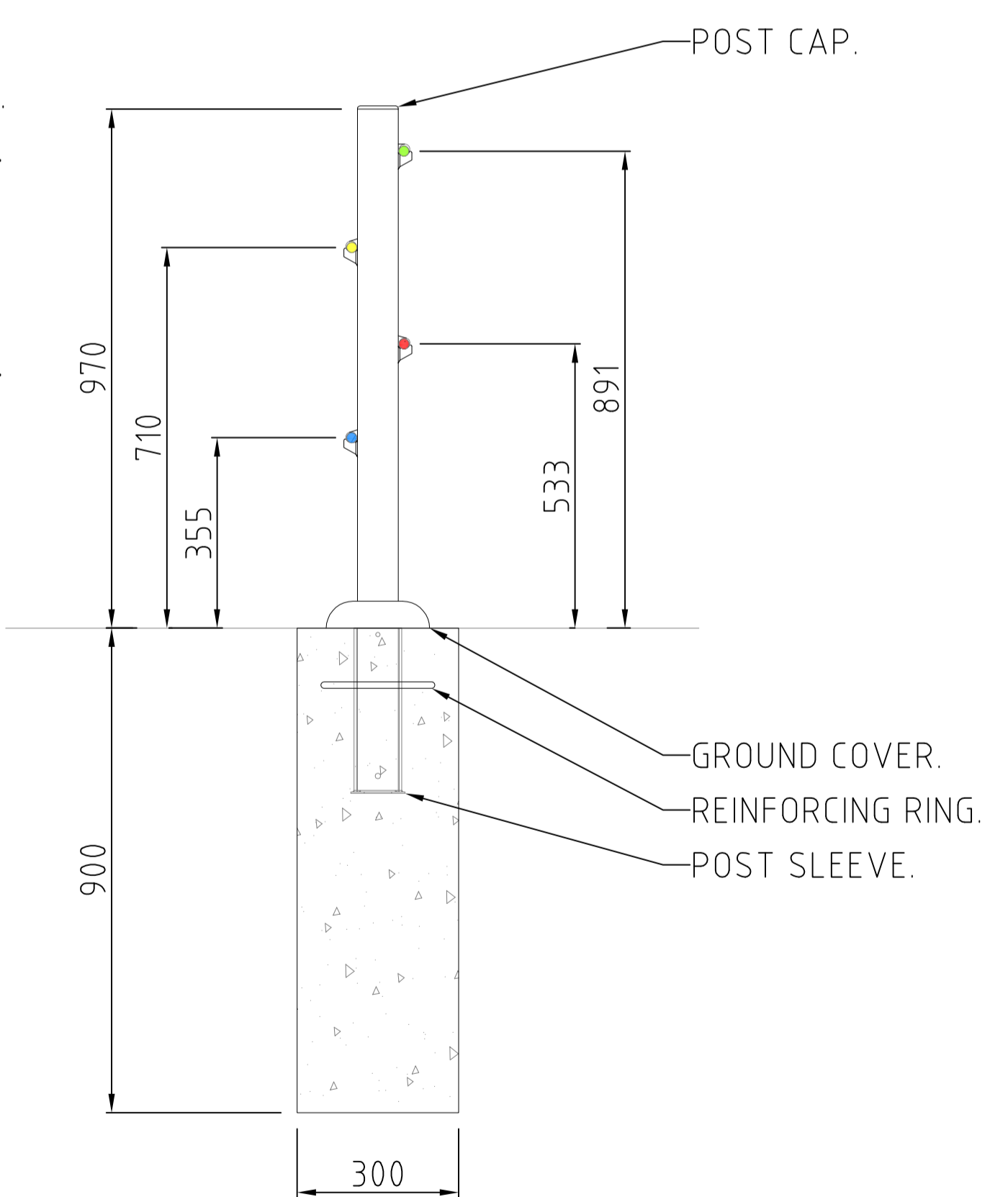
POST 1



POST 2



DEFLECTION POST



DEFLECTION POST (ELEVATION)

- NOTES:**
- DIMENSIONS IN MM.
 - ALL FOUNDATION DEPTHS TO BE MEASURED FROM ADJACENT GROUND LEVEL.
 - CONCRETE SHALL HAVE A MINIMUM 28-DAY STRENGTH OF 25MPA.
 - ALLOWABLE TOLERANCES:
 - A. POST SLEEVE FINISHING HEIGHT: ± 20 MM TO GROUND LEVEL
 - B. ROPE HEIGHT: ± 25 MM
 - THE ANCHOR PLATE SHALL BE INSTALLED LEVEL. IF THE ANCHOR BLOCK IS INSTALLED ON A CROSS SLOPE, THE PLATE SHOULD BE INSTALLED TO MATCH THE SLOPE.
 - RIGGING SCREWS (TENSION BAYS) ARE NOT TO BE LOCATED WITHIN THE TERMINAL SECTION.
 - THE WEAVE ORIENTATION MAY BE REVERSED ON THE TRAILING END DEPENDING ON NUMBER OF POSTS WITHIN THE LENGTH OF NEED SECTION.

REV	DATE	DESCRIPTION	DRAWN	APPRD.
A	27.09.19	INITIAL ISSUE	DB	TC

REV	DATE	DESCRIPTION	DRAWN	APPRD.



DRAWING DESCRIPTION	MASH TL3 BRIFEN END TERMINAL				
	DRAWING REFERENCE	WR-STD-02	DRAWN BY	AUSTEC DRAFTING	
			CHECKED	H. WALLACE	
		APPROVED	T. COLQUHOUN	DIMENSIONS	mm
				SCALE	NTS