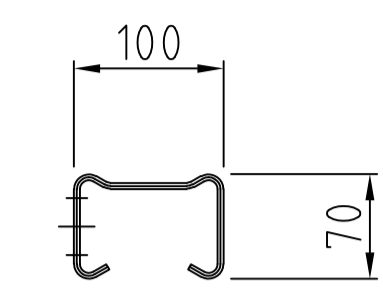
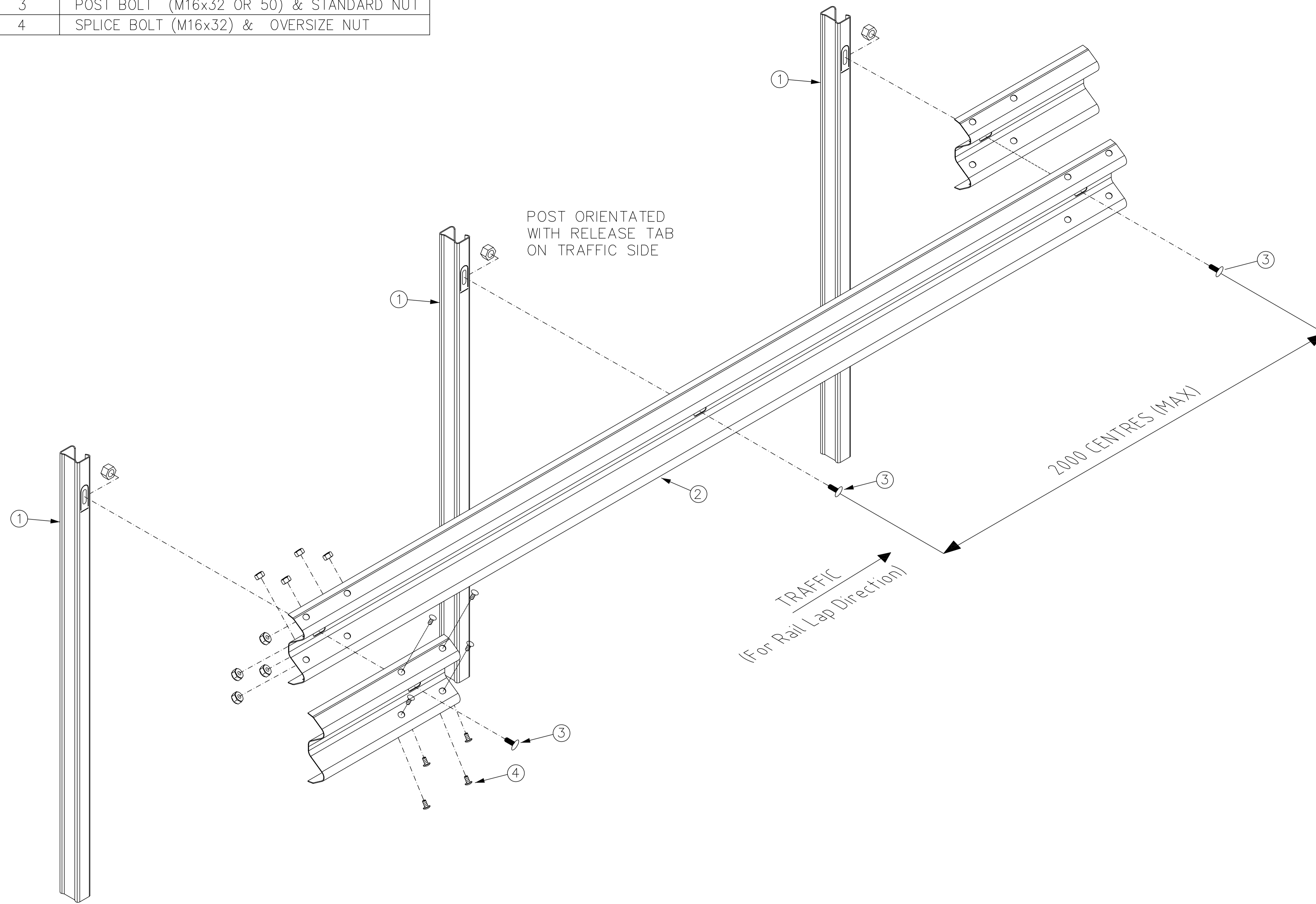
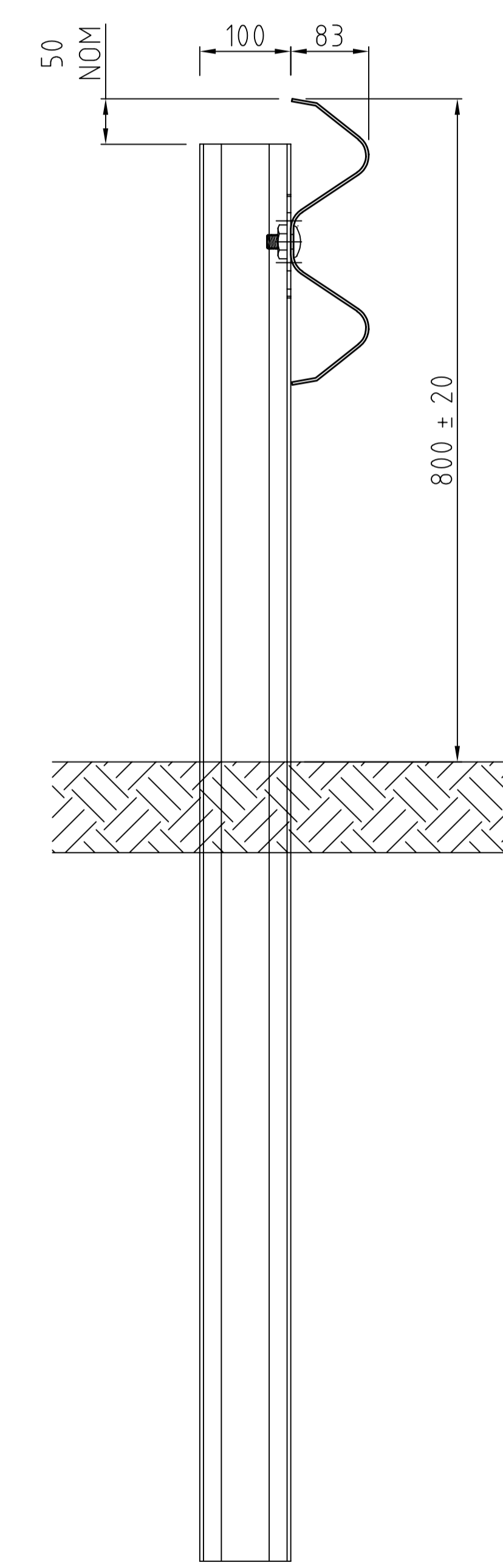


BILL OF MATERIALS

ITEM	DESCRIPTION
1	1560mm RAMSHIELD POST
2	W-BEAM GUARDRAIL
3	POST BOLT (M16x32 OR 50) & STANDARD NUT
4	SPLICE BOLT (M16x32) & OVERSIZE NUT



**POST PLAN**



**POST ELEVATION**

- NOTES:**
- Ramshield Guardrail has been crash tested in accordance with MASH Test level 3 at rail heights of between 730mm & 820mm
  - An installed rail height of 800mm ± 20mm provides compatibility with MASH guardrail end terminals

REV	DATE	DESCRIPTION	DRAWN	APPRD.	REV	DATE	DESCRIPTION	DRAWN	APPRD.
C	02.04.19	ASSEMBLY HEIGHT CHANGED	MS	TC					
B	18.07.17	ITEM DESCRIPTIONS CHANGED	MS	TC					
A	06.11.14	INITIAL ISSUE	DB	TC					



DRAWING DESCRIPTION	RAMSHIELD ASSEMBLY					
	DRAWN BY	M. SEAL	DIMENSIONS	mm		
DRAWING REFERENCE	GR-WB-060		CHECKED	H. WALLACE	SCALE	NTS
	APPROVED	T. COLQUHOUN				